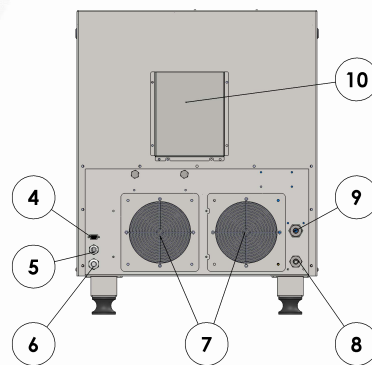
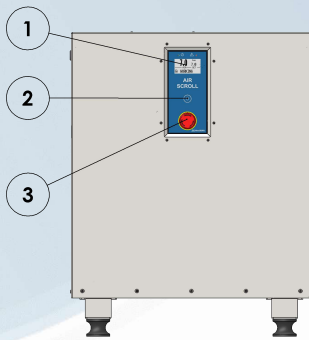




SC.220.8
SC.200.10

SCROLL AIR COMPRESSOR

The MicroPROGEL Scroll Compressors provide a source of 100% oil-free compressed air. They are suitable for all work environments thanks to their compact size, low noise and low vibration. The touch-screen LCD interface provides simple and user-friendly management of all functions on the unit, for a higher efficiency and reliability.



- 1 Touch-screen LCD 128x64 pixel
- 2 START/STOP button
- 3 Emergency Stop button
- 4 I/O connector: RS232
- 5 Auxiliary connection outlet
- 6 Power connection
- 7 Cooling fan air intake
- 8 Condensed water drain
- 9 Compressed air outlet
- 10 Air conveyor

Main Applications

- Medical laboratories
- Chemical and pharmaceutical industry
- Food factory
- Laser equipments

Main Features

- **100% oil-free**
- **Compact size**
- **Low noise**
- **Low maintenances costs**
- **High energy saving**
- **Available Flow-rates:**
up to 220 l/min
- **Outlet pressure:**
up to 10 bars
- **Internal air tank:**
20l with automatic purge
- **Dimensions:**
590(W)x690(D)x740(H) mm
- **Weight:**
130 kg
- **Certification:**
CE, ISO9001

Exclusive features

- Parallel connection available
- Exclusive algorithm for an energy-saving operation
- Operation mode with:
 - constant pressure
 - ON-OFF with constant power
 - classic ON-OFF with automatic hysteresis calculation

Technical specifications

Models	SC.220.8	SC.200.10
General data		
Rated power (max)	2.2 KW (3.5 KW)	2.5 KW (3.5 KW)
Free Air Delivery	220 l/min	200 l/min
Maximum working pressure	8bar (116psi)	10bar (145psi)
Internal receiver capacity	20l	
Dimensions	590(W)x690(D)x740(H) mm	
Net weight	130 kg	
Noise level	61db ¹	63db ¹
Communication		
RS232	X	
RS485	X	
USB	X	
Electrical data		
Type of connection	Cable 3x2.5mm ²	
Power supply voltage	220-240 Vac 50/60 Hz	
Connections		
Compressed Air outlet	3/8" female fitting	
Condensed water drain	1/4" female fitting	

¹ Measured frontally at a distance of 1m according to ISO11201. (tolerance $\pm 3dB$)